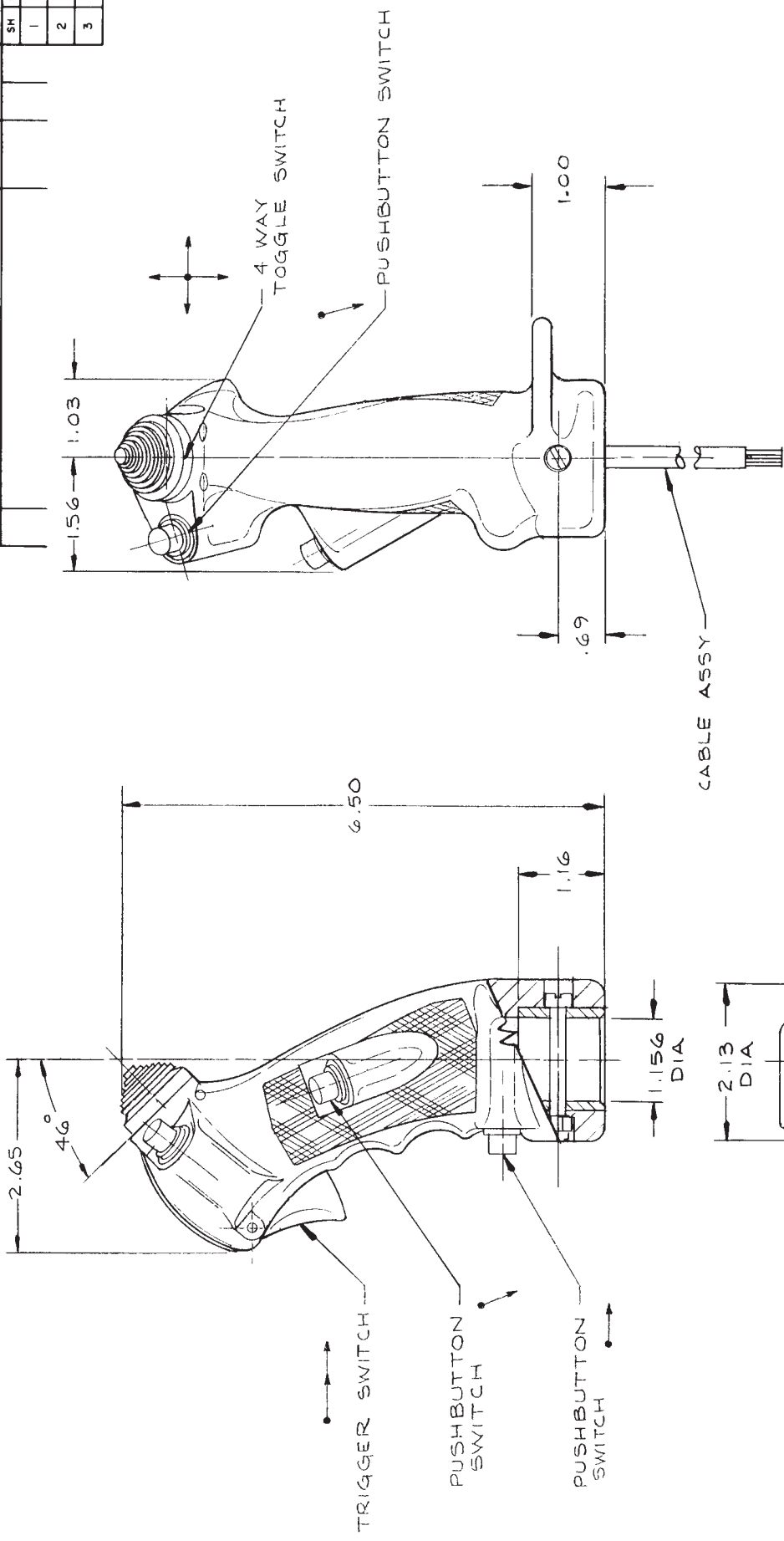


REV STATUS OF SHEETS	
SH	REV
1	
2	
3	

REVISIONS	
DESCRIPTION	DATE



FIND NO	QTY	CODE	IDENT NO	PART OR IDENTIFYING NUMBER	NOMENCLATURE OR DESCRIPTION	NOTE
					MATERIALS OR PARTS LIST	
UNLESS OTHERWISE SPECIFIED DIMENSIONS ARE IN INCHES TOLERANCES DECIMALS ANGLES SURF FNISH XX ±0.1 ±1° ✓ XXX ±0.005 HEAT TREAT FINISH						
SYMBOLS: <input type="checkbox"/> NOTES <input type="checkbox"/> PARTS LIST <input type="checkbox"/> FINISH NO						
PREPARED: _____ CHECKED: _____ APPROVED: _____						
SIZE CODE IDENT NO: C 81579						
SCALE: / WT: _____ SHEET: _____						

MATERIAL: MOLDED THERMOPLASTIC WITH CORROSION RESISTANT STEEL ADAPTER

2. DIMENSIONS APPLY AFTER PLATING.
 1. REMOVE ALL BURRS AND SHARP EDGES; SPRUE AND ALL FLASH; GATES, FINS AND RISERS.
- NOTES: GENERAL, UNLESS OTHERWISE SPECIFIED AND AS APPLICABLE: